

3 tier water barrel storage shelf

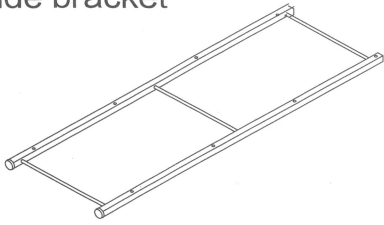
Installation Instruction

Accessories List

● Check all the accessories first before installation

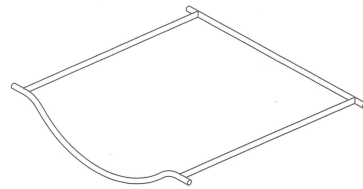
① Side bracket

X2



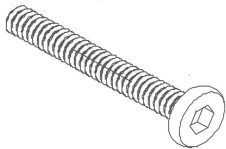
② middle bracket

X3



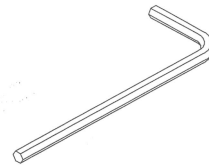
③ screw

X12



④ wrench

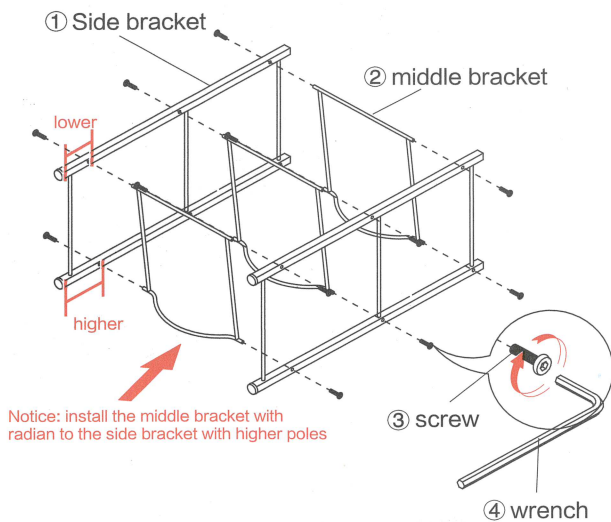
X1



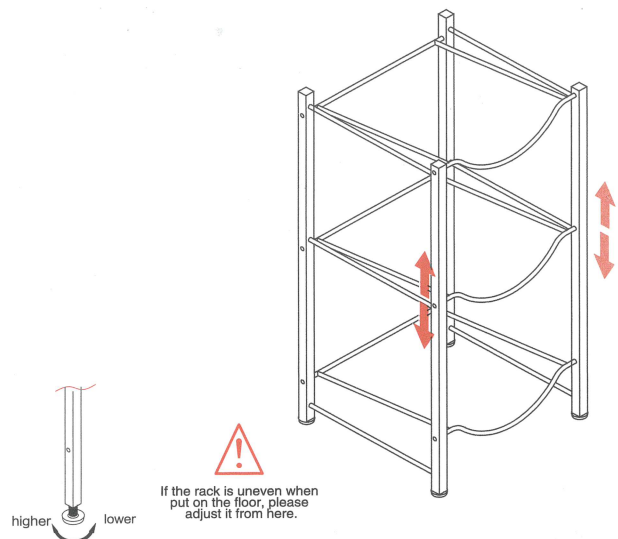
Installation process

① Install all the middle bracket into side bracket together with screws

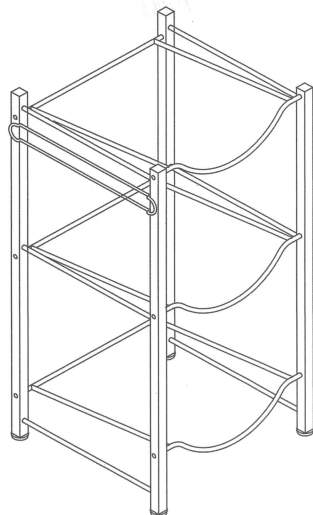
Attention: don't tighten all the screws for easier installation of next step.



② Stand the rack and keep it balanced, then tighten the screws. Input the bottle rack into the barrel rack.



③ Finish.



Attention: empty barrel upper and barrel full of water down to avoid accident.